



OWNER'S MANUAL

**MAC-10K
MAC-12K**

Portable Air Conditioner



- *Cooling*
- *Heating*
- *Dehumidifying*
- *Fan*

**Please read this owner's
Manual carefully before
operating the unit.**



TABLE OF CONTENTS

INTRODUCTION.....	2
IMPORTANT SAFEGUARDS.....	2
PACKAGE CONTAINS.....	2
NAMES OF PARTS.....	3
INSTALLATION BEFORE USE.....	4
CONTROL PANEL AND LCD DISPLAY.....	5
CONTROL FUNCTIONS.....	6
OPERATION USING CONTROL PANEL.....	7
OPERATION USING REMOTE CONTROLLER.....	9
MAINTENANCE.....	9
TECHNICAL SPECIFICATIONS.....	10
DISCLAIMER.....	11
CONTACT INFORMATION.....	11
WARRANTY.....	12
INSTALLATION OF THE EWNTING KIT.....	13

INTRODUCTION

Thank you for purchasing Soleus Air MAC-12K/10K portable air-conditioner. This unit is designed for improving living and working comfort by providing cooling, dehumidifying and fan functions only with a minimum installation required. With its quiet operation and attractive design, you will enjoy the convenience and comfort that this unit provides for many years to come.

When operating as an air conditioner, this unit is designed for spot cooling or cooling for a room no larger than 400 square feet with the standard ceiling height.

The unit also has power outage auto reset function. The unit automatically returns to the original setting after a power outage.

IMPORTANT SAFEGUARDS

Before you use your portable air conditioner, please read this operation manual carefully.

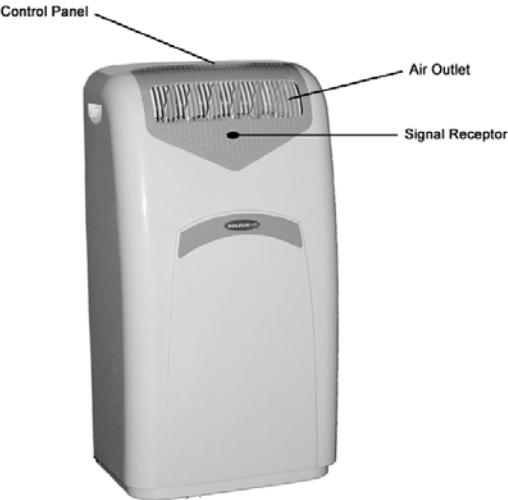
- 1) Never use or store gasoline or other flammable vapor or liquid near this unit.
- 2) Maintain at least 10" (25 CM) clearance space from this unit. Avoid air inlet or outlet grilles from being covered or closed off.
- 3) The power supply must be properly grounded.
- 4) Do not use an adapter plug or extension cord.
- 5) Do not use the unit in the immediate surroundings of a bath, a shower or a swimming pool.
- 6) Do not let children play near this unit.

PACKAGE CONTAINS:

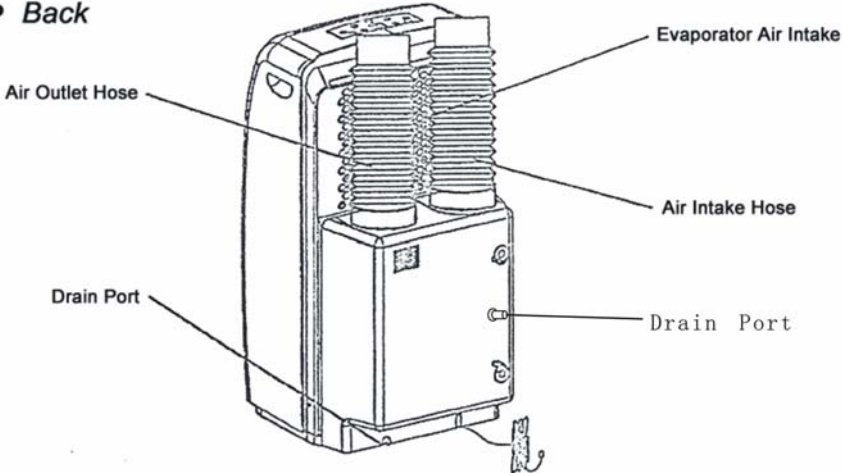
Mobile Air Conditioner
Exhaust Duct (2)
Unit Terminal End (2)
Window Kit Adapter (2)
Remote Controller
AAA Batteries (2)
Window Kit - 3 Sliding Panels
Exhaust Outlet Wall Covers (2)
User Manual

NAMES OF PARTS

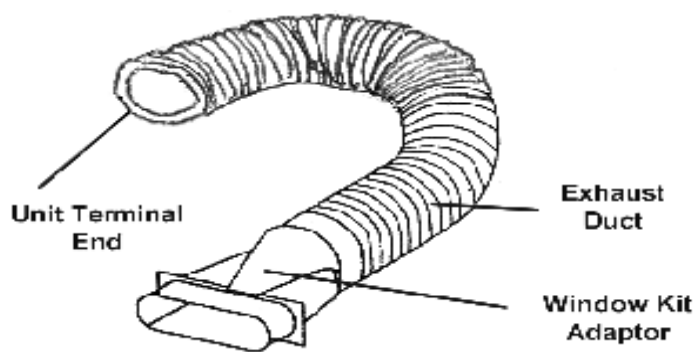
• *Front*



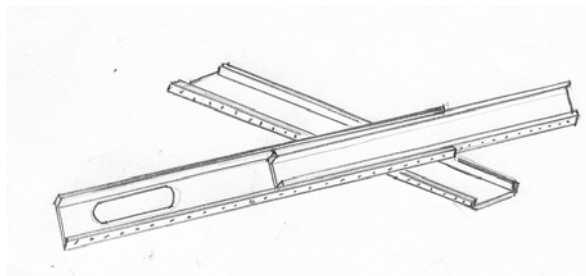
• *Back*



Exhaust Duct



Window Kits



INSTALLATION BEFORE USE

- 1) Exhaust Duct

When you use the unit as an air conditioner or a dehumidifier, the fresh outdoor air must be directed to the unit and the hot air must be exhausted out of the room to complete the air exchange. When the unit is operating on fan or heating models, no outdoor air exchange takes place. You do not need to hookup the window kits and exhaust hose when you use the unit as a fan or a heater.

- a) Pull out of both ends of the exhaust ducts for approximately 6”.
- b) Screw clockwise the exhaust ducts with one end to the terminal end and other end to the window kit adapter.
- c) Remove exhaust outlet wall covers from the back of the unit by screwing the covers counter-clockwise before lifting them up.
- d) Mount terminal ends of the exhaust hoses to the unit.
- e) Open window or sliding door for approximately 5 inches (130 mm)

- f) Adjust the length of the window kit to the same length of the window or the sliding door. Use all three panels if necessary. Cut the window piece as needed to fit the length of your window or sliding door. Make sure that both holes on the main piece are not covered by other pieces.
- g) Place the window kit to the window or sliding door. Close the window or door as far as it goes.
- h) Adjust the lengths of exhaust hose and affix the window kit adapters onto the holes on the window kit.

NOTE: When using the window kit on a window or sliding door it will cause the window or sliding door not to be properly closed and locked. Additional security measurements should be taken

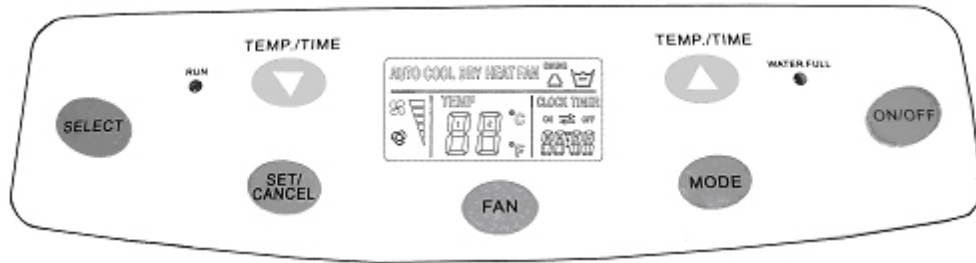
Wall Mount

- 1) Do not use window kit adapter. Mount the one end of the exhaust ducts onto holes of 5” on the wall.
- 2) Using exhaust outlet wall covers to cover the holes in the wall when the unit is not in use.

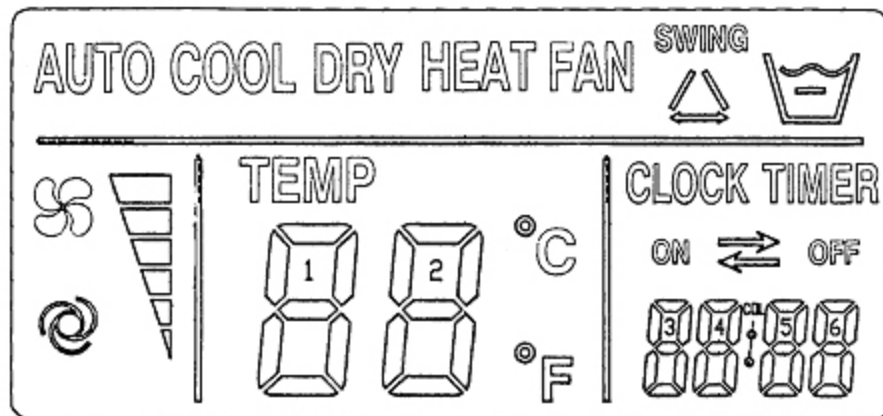
NOTE: In order to increase the efficiency, the exhaust ducts should be keeping as short and straight as possible. It is not recommended to increase the manufacturer’s length of the exhaust hose. This may impede or damage the unit.

CONTROL PANEL AND LCD DISPLAY

CONTROL PANEL



LCD DISPLAY



Control Panel Functions

- 1) Power On/Off Control
Starts or Stops the Unit
- 2) Mode Control
Select the functions of the unit for:
Fan Mode
Air Conditioning Mode
Heating Mode
Dehumidifying Mode
Auto Mode

3) Fan Speed Control

Select the fan speed for:

- High
- Medium
- Slow
- Auto

4) Temperature/Time

Select the desired temperature by pressing either \wedge or \vee key when using the unit in cooling or heating function. The LCD flashes to displays the desired temperature during the setting. The LCD displays set temperature when it is not at temperature setting mode. The buttons are also used for setting time and timer.

The LTD display either in Celsius or Fahrenheit. Press Temperature/Time \wedge and \vee keys simultaneously to change the display from Celsius to Fahrenheit or vice verse.

5) Select and Set/Cancel

Using Select and Temperature/Time keys to set clock and timer. To set clock, press the Select key until the LCD display shows flashing current time. Pressing either \wedge or \vee Temperature/Time keys to change the clock to the current time. Press Select key again until the display shows current time in a constant mode.

To program the timer, press Select key until the LCD display shows a flashing “on”. Pressing either \wedge or \vee Temperature/Time keys to change the clock to the desired time for the unit being turned on. Press Select key one more time and the LCD display will show a flashing “off”. Pressing either \wedge or \vee Temperature/Time keys to change the clock to the desired time for the unit being turned off. Press the Select key again until the display shows a constant clock

To activate the timer that you programmed, press Set/Cancel button to chose either on, off or repeating (on-off) of the timer operation.

OPERATION USING CONTROL PANEL

1) Cooling Operation

- a) Install the exhaust ducts properly.
- b) Plug the Power Cord to the power outlet.
- c) Turn on the unit by pressing the On/Off Button on the control panel.
- d) Press Mode Button until “Cool” appears on the LCD display
- e) Press the Temperature/Time Button \wedge or \vee until the desired room temperature appears on the LCD. The temperature ranges from 61°F-88°F (16 °C-31 °C).
- f) Select the fan speed by pressing the Fan Button.

NOTE: During hot days, the unit will cool off the room most efficiently by setting the temperature at the lowest and the fan speed at the highest. Reducing the length of the exhaust duct and insulating the exhaust duct and keeping direct sunlight to a minimum will also improve the cooling efficiency.

2) Dehumidifying Operation

- a) Install the exhaust ducts properly
- b) Plug the Power Cord to the power outlet.
- c) Turn on the unit by pressing the On/Off Button on the control panel.
- d) Press the Mode Button until the “DRY” appears on the LCD display.

NOTE: The unit operates at low fan speed during dehumidifying. The unit cools room slightly during the dehumidification.

Keep the windows and the doors closed to aid the effectiveness of the unit in removing the moisture from the room.

NOTE: The unit will not perform dehumidification when the room temperature is lower than 61 degree.

3) Fan Operation

- a) Plug the Power Cord to the power outlet.
- b) Turn on the unit by pressing the On/Off Button on the control panel.
- c) Press the Mode Button until “FAN” appears on the LCD display.
- d) Select the fan speed by pressing the Fan Speed Button.

NOTE: When the unit is running on fan mode, the exhaust duct is inoperative and is not required.

4) Heating Operation

- a) Plug the Power Cord to the power outlet.
- b) Turn on the unit by pressing the On/Off Button on the control panel.
- c) Press the Mode Button until “HEAT“ appears on the LCD display.
- d) Press the Temperature/Time Button \wedge or \vee until the desired room temperature appears on the LCD. The temperature ranges from 61 °F-88 °F (16 °C-31 °C).
- e) Select the fan speed by pressing the Fan Speed Button. It is recommended to use a low fan setting.

NOTE: When the unit is running on heating mode, the exhaust duct is inoperative and is not required.

5) Auto Operation

- a) Install the exhaust ducts properly
- b) Plug the Power Cord to the power outlet.
- c) Turn on the unit by pressing the On/Off Button on the control panel.

- d) Press the Mode Button until the “AUTO” appears on the LCD display.
- e) Select the fan speed by using FAN button.

During the AUTO model, the unit operates at heating mode when the room temperature is below 68 degree. It operates at dehumidifying mode when the room temperature is between 68 to 80 degree. It operates at cooling mode when the room temperature is above 80 degree. You may use the timer with the AUTO mode.

6) Sleep Mode

- a) The air conditioner in operation
- b) Press SLEEP to enter into sleep mode
- c) The fan motor of indoor unit runs in low speed
- d) When in cooling mode, within the first two hours, the temperature will be increased 1°F per hour. Then temperature will be keeping at 2°F higher than the original degree for 6 hours. 6 hours later, temperature will return to original degree you set.
- e) When in heating mode, within the first 2 hours, temperature will be decreased 1°F per hour. Then temperature will be keeping at 2°F Lower than the original degree for 6 hours. 6 hours later, temperature will return to original degree you set.
- g) When in dehumidify mode, the temperature will not be changed.

NOTE: When the room temperature is low and the indoor humidity is high, the condensate of the air conditioner may not be discharged in time. Water will accumulate in the unit that leads to the unit stops working automatically for a long time. (At the moment, the indicator lamp “WATER FULL” in the LCD is light.) In order to let your unit recover working quickly, you can pull out the “Drain Port” which is located in the middle and bottom of the back of the unit. The condensate will be discharged several minutes after water be drained. Please use at least 1.5 liter pan to catch the dripping water. It is not advised to use continuous drain method when the room temperature is higher than 90°F .

OPERATION USING REMOTE CONTROLLER

The remote controller provided with the unit may operate this portable air conditioner. The remote controller uses two - AAA batteries (provided). Install the batteries before using the remote controller.

REMOTE CONTROLLER

You may use the remote controller to do all the operations. You can only turn on or off the swing operation from the remote controller.

The LTD displays on remote controller either in Celsius or Fahrenheit. Press + and - keys simultaneously to change the display from Celsius to Fahrenheit or vice verse.



MAINTENANCE

Note: Make sure power is off and the plug is pulled out of the power outlet before performing any maintenance activities.

1) Clean or replace filter

If the air filter is blocked with a lot of dust, the airflow volume will reduce. It is recommended to clean the filter once every two weeks or as needed.

- a) Pull up the filter from the filter compartment in the back of the unit.
- b) Wash the air filter by immersing it gently into warm (about 104 F) water with a neutral detergent. Rinse the filter and dry it thoroughly in a shaded place.
- c) Replace the filter back to the filter compartment after it is thoroughly dried.
- a) If the filter is torn or unusable, order a new filter by calling the contact section of this manual.

2) Case

- a. Keep the unit from being exposed directly to the sun for possible color fading.
- b. Clean the surface with a damp cloth. Dry it with a soft towel.

3) Storing the Unit for an Extended Period of Time or Transporting

- a) Empty water by unplugging the water drainage stop at the back towards the bottom of the unit
- b) Unplug the unit.

- c) The unit should be stored in a cool dry place.

TECHNICAL SPECIFICATIONS

MODEL		MAC-10K	MAC-12K
COOLING CAPACITY		10,000 BTU/H	12,000 BTU/H
HEATING		1200 W	1200 W
DEHUMIDIFYING CAPACITY		50pts/Day	60pts/Day
POWER	COOLING	980W	1350W
	HEATING	1350W	1350W
AIR FLOW VOLUME		300m ³ /h	300m ³ /h
POWER SOURCE		115 V~ 60 HZ 9/12 AMP HEATING/COOLING	115 V~ 60 HZ 12/12AMP HEATING/COOLING
SOUND PRESSURE LEVEL		46 dB(A)	46 dB(A)
NET WEIGHT		80 LBs	82 LBs
DIMENSIONS	BODY	18x32x18 Inch	18x32x18 Inch
	PACKAGE	20x35x23 Inch	20x35x23 Inch
REFRIGERANT		R22	R22

NOTE:

- 1) The above cooling capacity is measured at ambient temperature of DB 86 F, WB 78 F.
- 2) Noise level is measured at the point where is 3.28 ft away from the front of the unit, in cooling mode.
- 3) Power consumption is measured when fan runs at the highest speed Specifications above are for reference only. Please see the actual data printed on the nameplate.

DISCLAIMER

ALL INFORMATION AND THE TECHNICAL SPECIFICATIONS PRESENTED IN THIS USER'S MANUAL ARE THE PRESENTATION OF THE MANUFACTURER. SOLEUS INTERNATIONAL HAS NOT CONDUCTED INDEPENDENT TEST TO THE INFORMATION AND THE SPECIFICATIONS PRESENTED HEREWITHIN.

CONTACT INFORMATION

Contact For Optional and Spare Parts
 Technical Support
 Warranty Claim
 Customer Service

Soleus International Inc.
9451 Telstar Ave.
El Monte, CA 91731 USA
(888) 8-SOLEUS
www.soleusair.com

WARRANTY

ONE YEAR LIMITED WARRANTY

Soleus International Inc. warrants the accompanying Soleus Air MAC-12K/10K Mobile Air Conditioner to be free of defects in material and workmanship for the applications specified in its operation instruction for a period of ONE (1) year from the date of original retail purchase in the United States or Canada.

If the air conditioner exhibits a defect in normal use, Soleus International Inc. will, at its option, either repair or replace it, free of charge within a reasonable time after the air conditioner is returned during the warranty period.

As a condition to any warranty service obligation, the consumer must present this Warranty Certificate along with a copy of the original purchase invoice.

THIS WARRANTY DOES NOT COVER:

- 1) Damage, accidental or other wise, to the air conditioner while in the possession of a consumer not caused by a defect in material or workmanship;
- 2) Damage caused by consumer misuse, tampering, or failure to follow the care and special handling provisions in the instructions.
- 3) Damage to the finish of the case, or other appearance parts caused by wear.
- 4) Filter.
- 5) Damage caused by repairs or alterations of the air conditioner by anyone other than authorized by Soleus International Inc..
- 6) Freight and Insurance cost for the warranty service.

ALL IMPLIED WARRANTIES, INCLUDING ANY IMPLIED WARRANTY OF MERCHANTABILITY ARE LIMITED TO ONE-YEAR DURATION OF THIS EXPRESS LIMITED WARRANTY. SOLEUS INTERNATIONAL INC. DISCLAIMS ANY LIABILITY FOR CONSEQUENTIAL OR INCIDENTAL DAMAGES AND IN NO EVENT SHALL SOLEUS INTERNATIONAL INC.'S LIABILITY EXCEED THE RETAIL VALUE OF THE AIR CONDITIONER FOR BREACH OF ANY WRITTEN OR IMPLIED WARRANTY WITH RESPECT TO THIS AIR CONDITIONER

Installation of the Venting Kit

FOR SOLEUS AIR EVAPORATIVE PORTABLE AIR CONDITIONERS



The venting kit must be installed in order for the unit to work correctly in the air conditioning or dehumidifying mode. The venting kit does not need to be used while the unit is heating or fanning.

The window kit has been designed to fit into most vertical and horizontal window openings. The window kit can also be used in a sliding door.

1. Choose an appropriate location, close to a grounded electrical outlet and a suitable window or door.
2. Remove the outlet covers from the back of the unit by screwing them counter-clockwise, then lifting up. (figure b)
3. Pull out one end of the exhaust hose, then screw on the adapter clockwise. Repeat on other exhaust hose. (figure c)
4. Pull out the opposite end of the exhaust hose, then screw on the window kit adapter clockwise. Repeat on other exhaust hose. (figure d)



5. Mount the exhaust hoses onto the back of the unit. (figure e)

6. Open the window or door and adjust the length of the window kit to fit the opening. (figure f) Mark the kit and cut it down to properly fit the opening, if necessary. (figures g&h)



7. Attach the window kit adapters to the window kit. (figure i) Close the window or door tightly. (figure j) Your Soleus Air portable air conditioner is now ready to cool.

When using the venting system, keep the exhaust hose as short and straight as possible. The exhaust hose can be shortened, but it is not recommended to increase the length of the exhaust hose. Do not use an extension cord with your portable air conditioner.



www.soleusair.com